
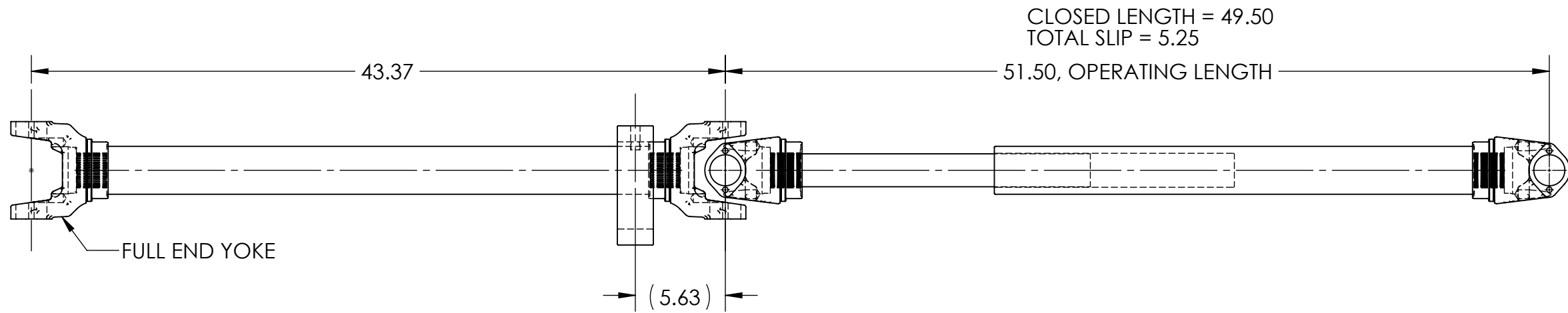
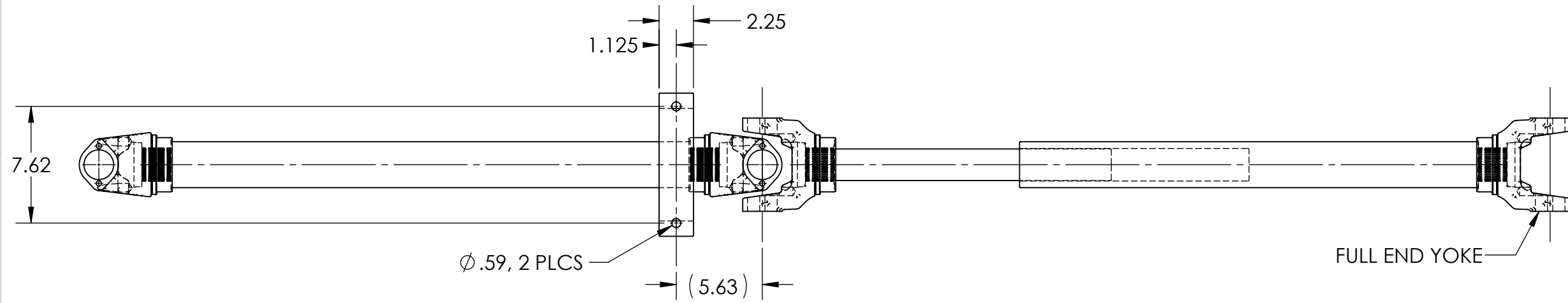



1

DIMENSIONS ARE IN INCHES		NAME	DATE	 TICO MANUFACTURING 66 CYPRESS RIDGE DR. RIDGELAND, SC 29936 (843) 717-2226				
TOLERANCES:		DRAWN	MAL		3/30/2018			
DECIMAL:		CHECKED	---		---			
X.X ± 0.06 X.XX ± 0.03 X.XXX ± 0.005 ANGULAR: ± 0.5° FRACTIONAL ± 1/32"		APPROVED	---		---			
		DO NOT SCALE DRAWING			TITLE: ASSEMBLY, DRIVELINE			
MATERIAL		THE SUBJECT MATTER SHOWN AND DESCRIBED IN THIS DRAWING AND ANY OTHER INFORMATION ADVANCED IN CONNECTION THEREWITH, IS PROPRIETARY PROPERTY AND IS TO BE HELD IN STRICT CONFIDENCE BY YOU. ALL RIGHTS TO ANY INVENTIONS, DESIGNS, TRADE MARKS, TRADE NAMES AND COPYRIGHTS DISCLOSED ARE RESERVED TO TICO TERMINAL SERVICES, INC.			SIZE	DWG. NO.	REV	
FINISH					B	12993-A1	A	
THICKNESS					SCALE: 1:3		WEIGHT:	SHEET 1 OF 1
N/A								

REV.	DESCRIPTION	ECN	DATE	APPROVED
A	RELEASE	14576	11/14/2014	



DIMENSIONS ARE IN INCHES TOLERANCES: DECIMAL: X.X ± 0.06 X.XX ± 0.03 X.XXX ± 0.005 ANGULAR: ± 0.5° FRACTIONAL ± 1/32"	NAME	DATE	 TICO/TERMINAL SERVICE 66 CYPRESS RIDGE DR. RIDGELAND, SC 29936 (843) 717-2226	
	DRAWN	LP		11/14/2014
	CHECKED			
	APPROVED			
INTERPRET GEOMETRIC TOLERANCING PER: ASME 14.5M-1994	DO NOT SCALE DRAWING		TITLE:	
MATERIAL	THE SUBJECT MATTER SHOWN AND DESCRIBED IN THIS DRAWING AND ANY OTHER INFORMATION ADVANCED IN CONNECTION THEREWITH, IS PROPRIETARY PROPERTY AND IS TO BE HELD IN STRICT CONFIDENCE BY YOU. ALL RIGHTS TO ANY INVENTIONS, DESIGNS, TRADE MARKS, TRADE NAMES AND COPYRIGHTS DISCLOSED ARE RESERVED TO TICO TERMINAL SERVICES, INC.		DRIVELINE - 1710 - 178" WB WITH CENTER BEARING	
FINISH	SIZE	DWG. NO.	REV	
THICKNESS	B	12993	A	
	SCALE: 1:24	WEIGHT: 24.9	SHEET 1 OF 1	

NOTE: 1710 SERIES DRIVELINE, REFERENCE DRAWING NO. 111014B

